

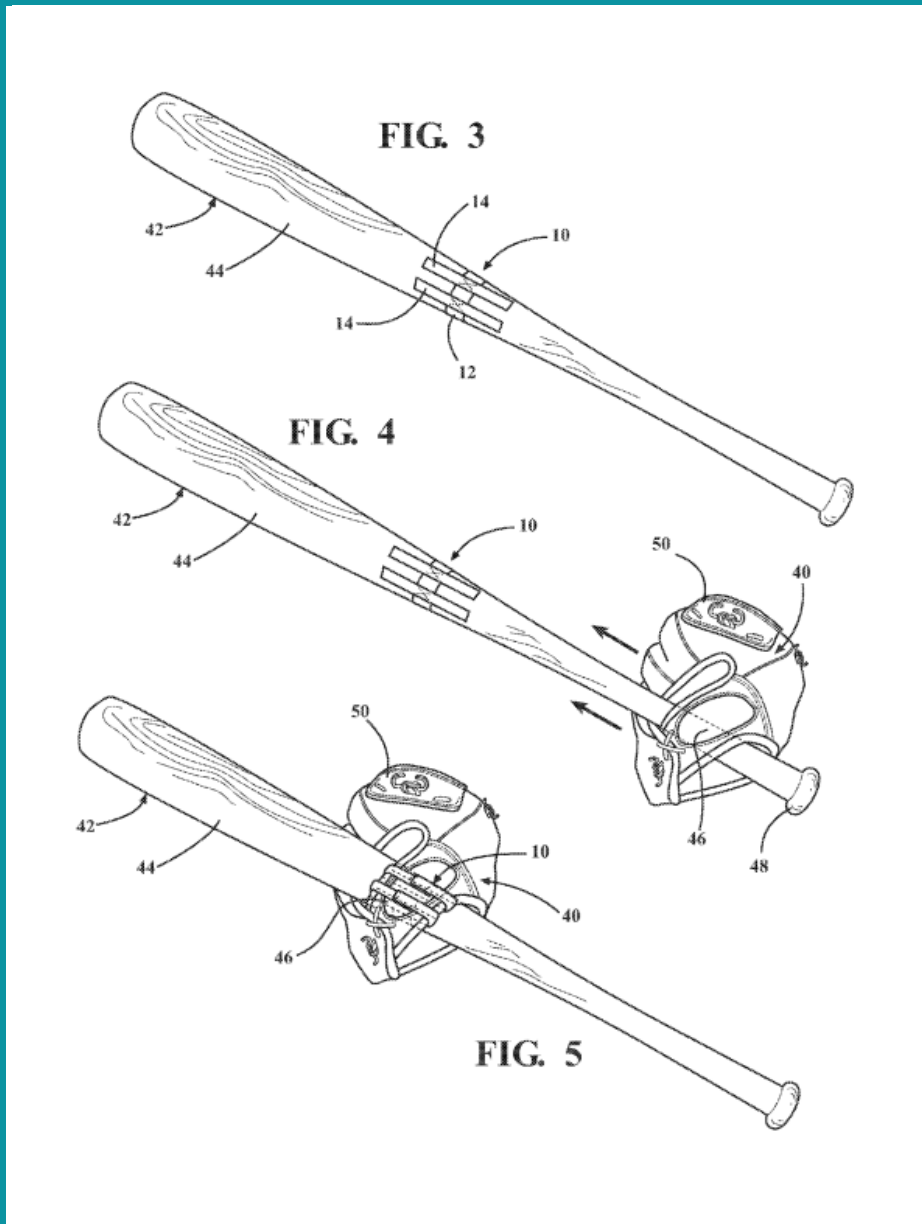


University of
Massachusetts
Amherst

Sporting Econ 336 Patent Coloring Book

Item Type	Learning Object
Authors	Reznik-Zellen, Rebecca
DOI	10.7275/kgr9-j944
Download date	2026-06-16 06:33:14
Link to Item	https://hdl.handle.net/20.500.14394/55611

SPORTING ECON 336 PATENT COLORING BOOK



Created by the students of ECON 336
Economics of Science, Technology, and Innovation
with Dr. Ina Ganguli
September 24, 2024

AN EXERCISE IN PATENT SEARCHING

This patent coloring book was created as part of a presentation on September 24, 2024, to students in ECON 336: Economics of Science, Technology, and Innovation on patents and patent searching. For an exercise in using the United States Patent Public Search database, students were asked to look for patents on the broad theme of sports. For each patent found, a single figure was selected to represent that sporting innovation.

United States patents and patent applications are public documents. There are three types of United States patents: utility, design, and plant. This collection contains utility patents, design patents, and patent applications.

The UMass Amherst Libraries' Patent and Trademark Resource Center is part of a nationwide network of public, state and academic libraries designated by the USPTO to disseminate patent and trademark information and support the intellectual property needs of the public. To learn more about patents, please visit the PTRC website at <https://guides.library.umass.edu/ptrc/home> .

Patent Number	Patent Title	Sport
US 2012/0010029 A1	Baseball Training Apparatus	Baseball
US D1,044,137 S	Bicycle Helmet	Biking
US 12,096,817 B2	Sole Structure and Shoe Having Same	Running
US 12,097,908 B1	Autonomous Versatile Vehicle System	Robotics
US 2024/0307754 A1	Smart Combat Glove System and Method	Boxing/Mixed Martial Arts
US 2024/0090610 A1	Energy Diverting Football Helmet	Football
US 11,572,130 B1	Bike Pedal Attachment System	Biking
US 12,096,823 B1	Article of Footwear	Golf
US 2023/0021178 A1	Paddle Airflow and Stabilization System, Paddle Apparatus, and Method of Use	Pickleball
US 2024/0253746 A1	Method of Converting a Jet Board into a Personal Watercraft (PWC) Using Straps	Jetskiing
US D1,006,927 S	Volleyball	Volleyball
US 2002/0266636 A1	Hybrid Motorbike Powered by Muscle Power and an Electric Motor with the Current Generated by a Fuel Cell	Biking

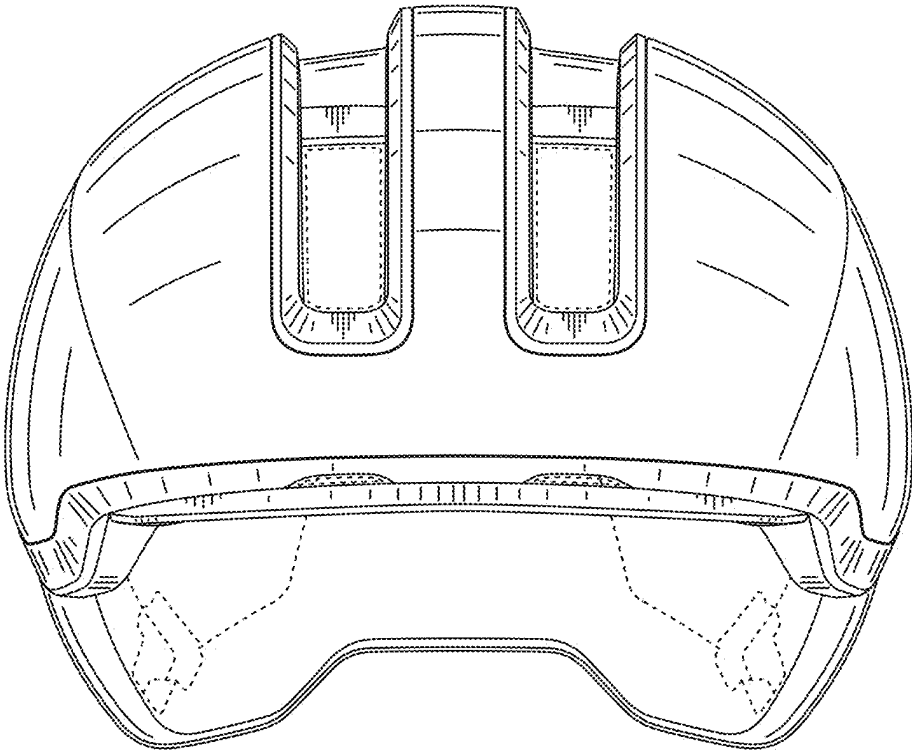


FIG. 3

FIG. 2

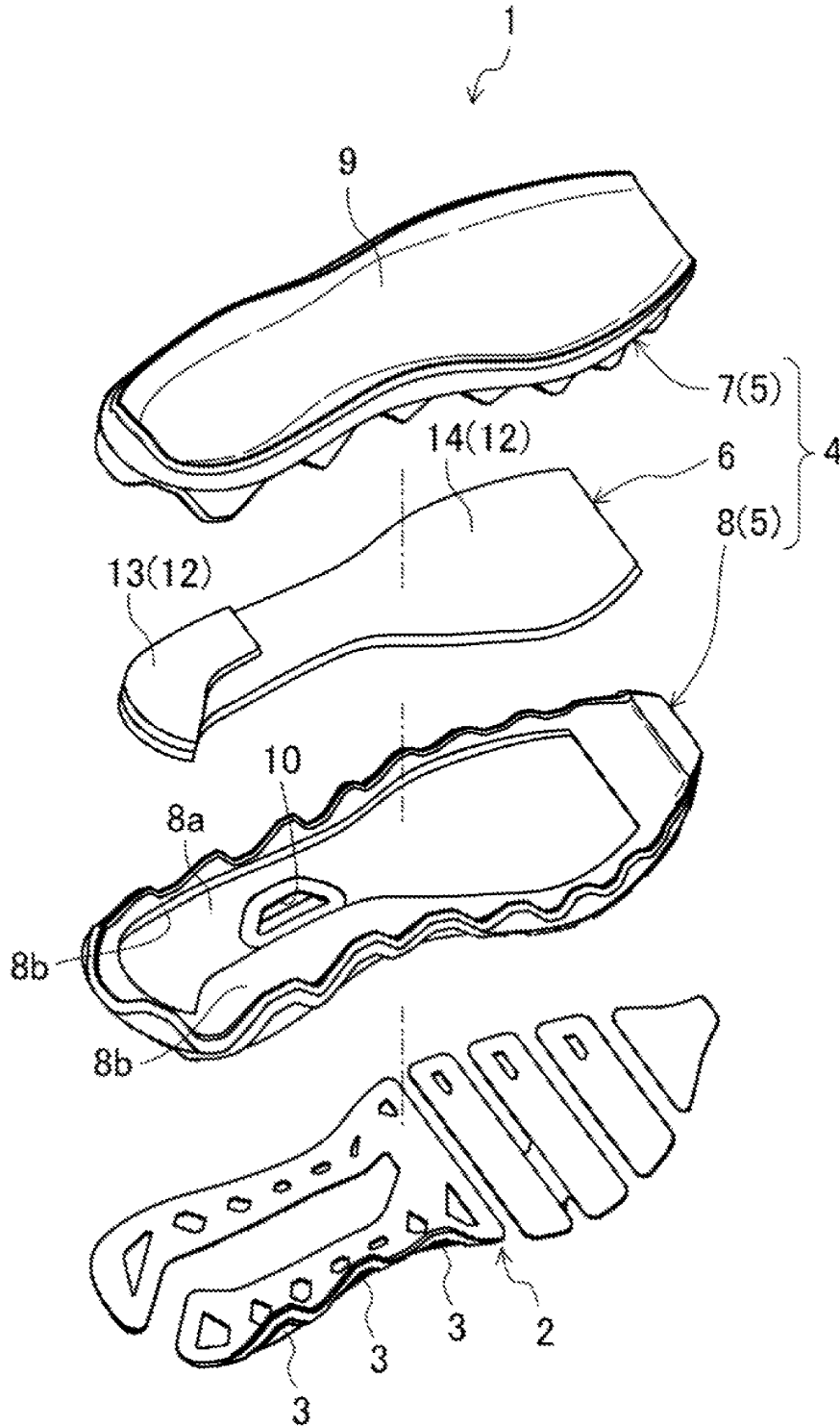
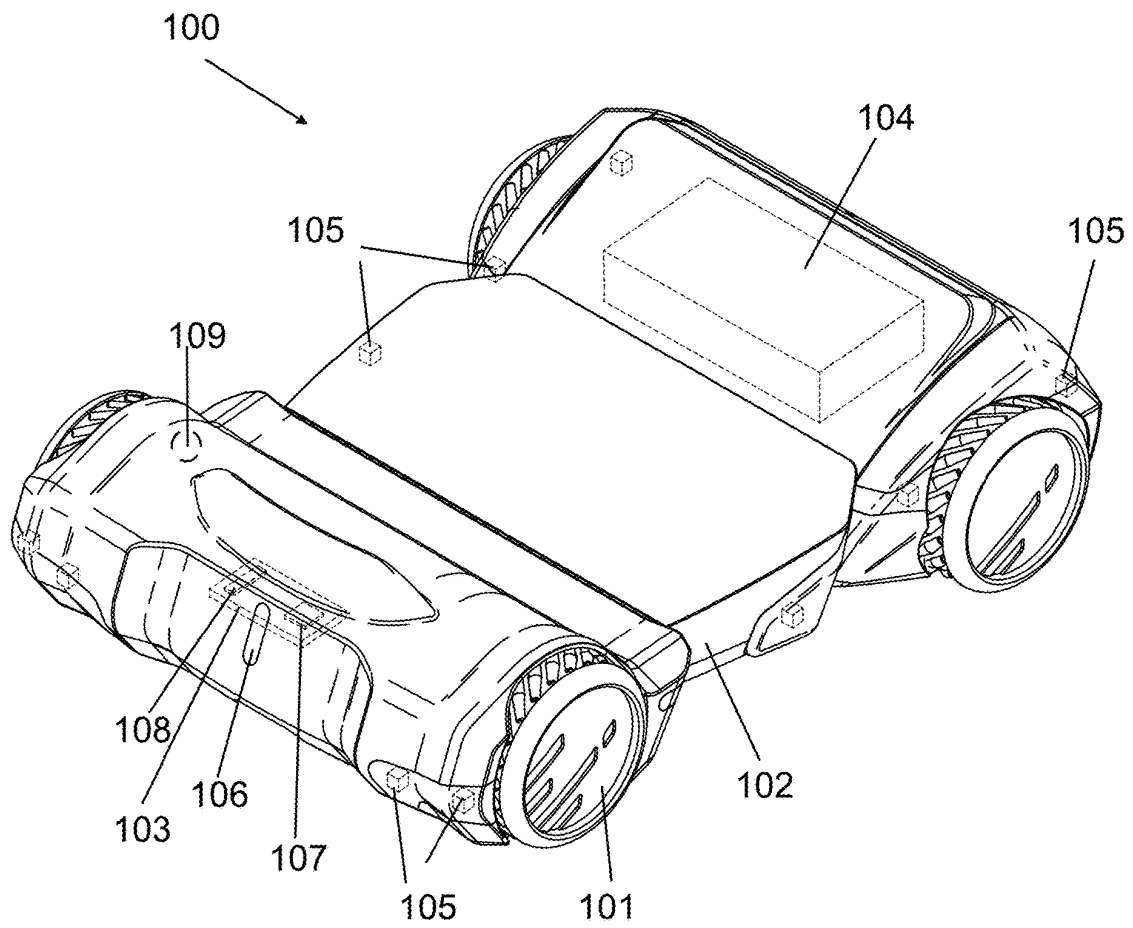


FIG. 1



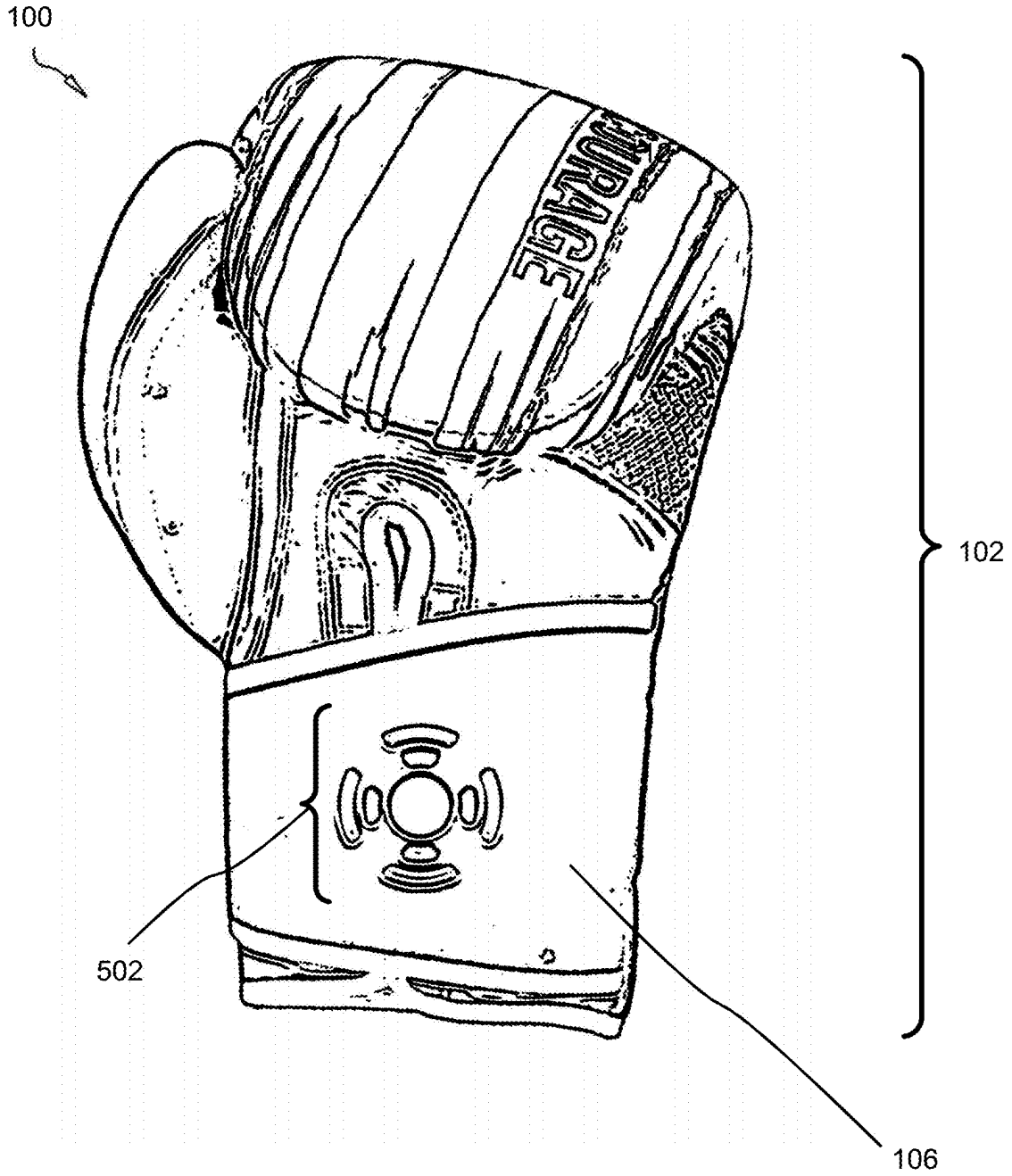
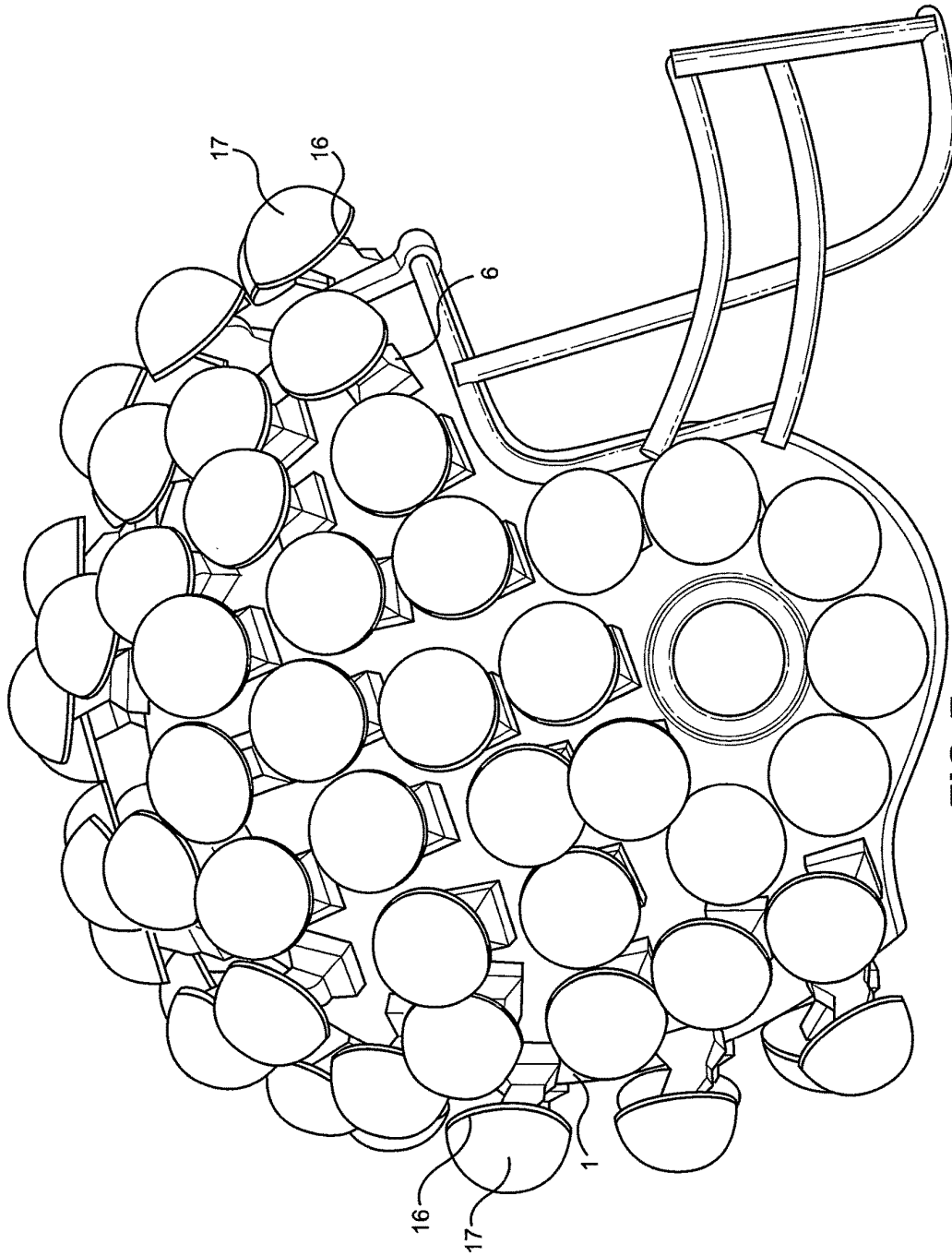


FIG. 1



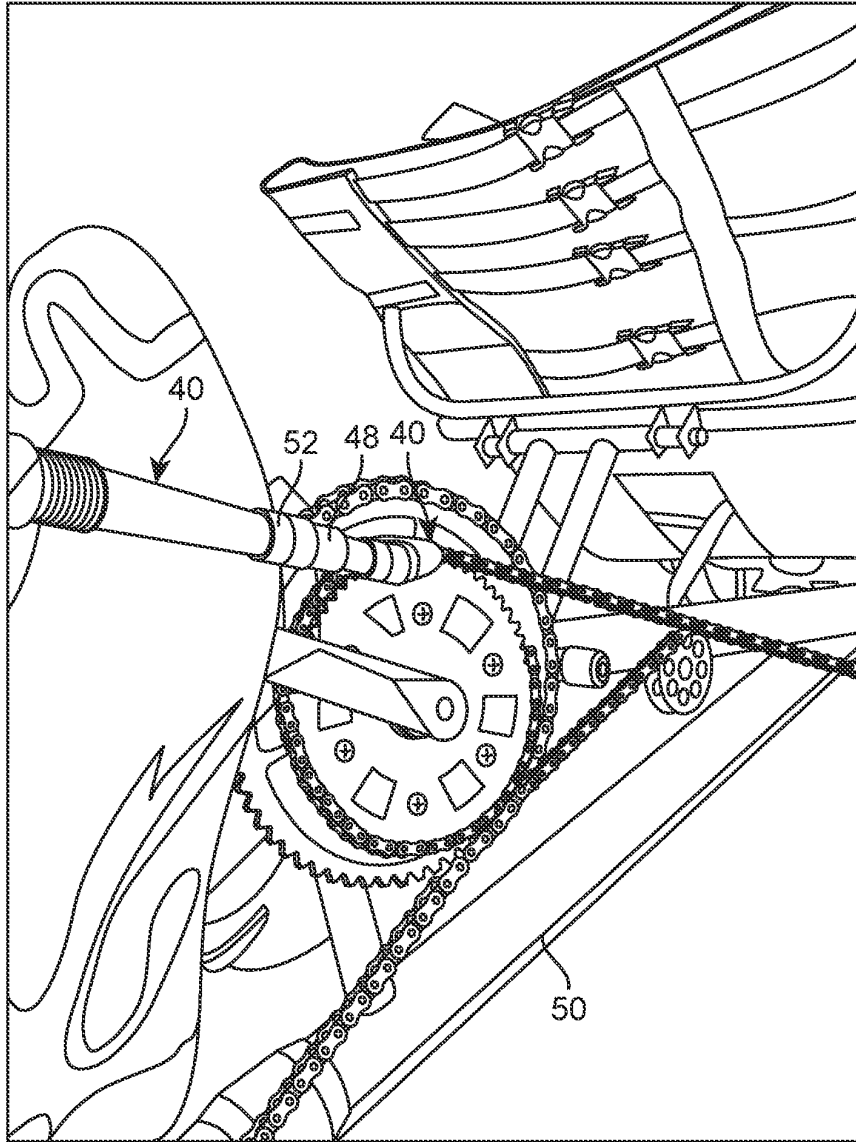
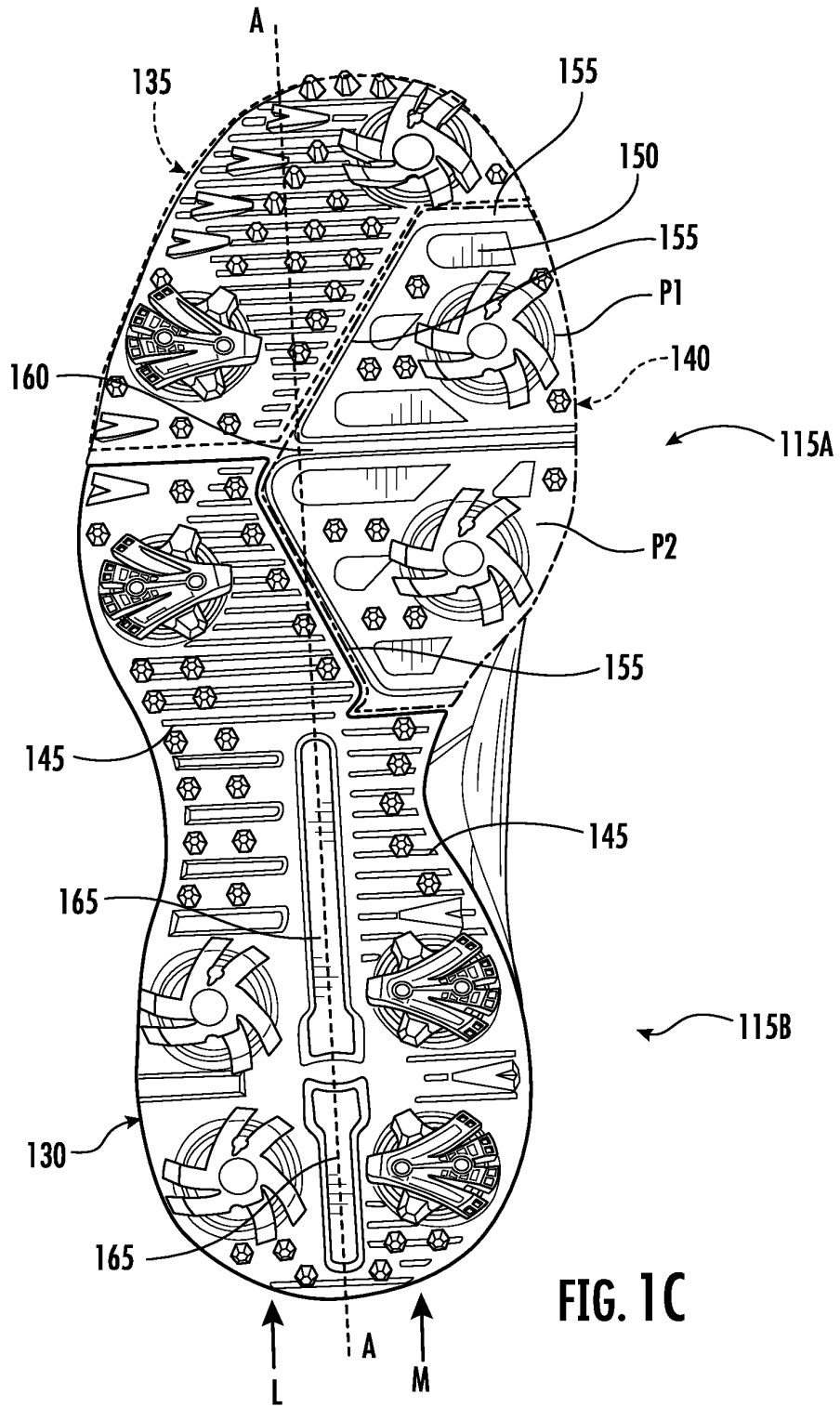


FIG. 6



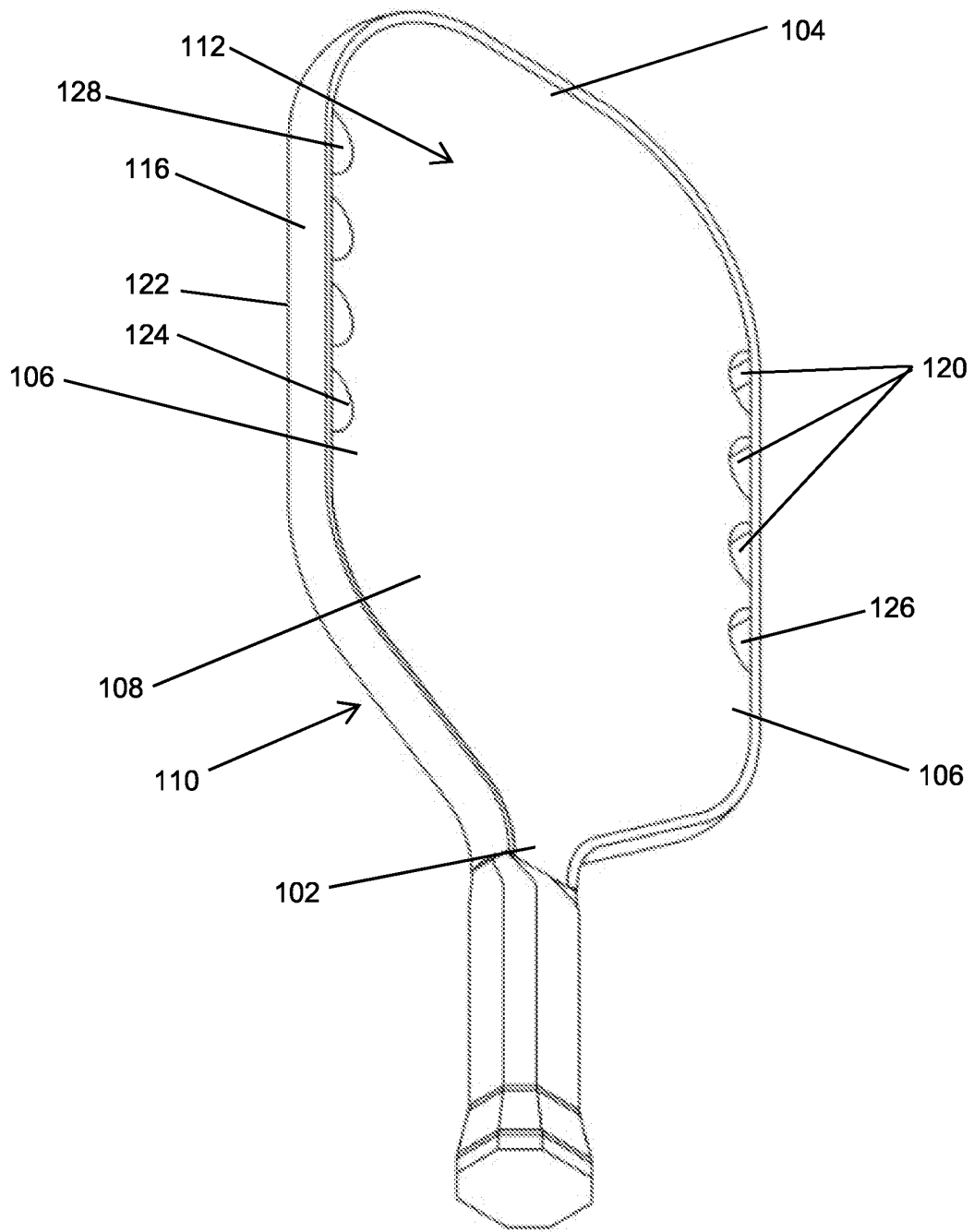


Fig. 8

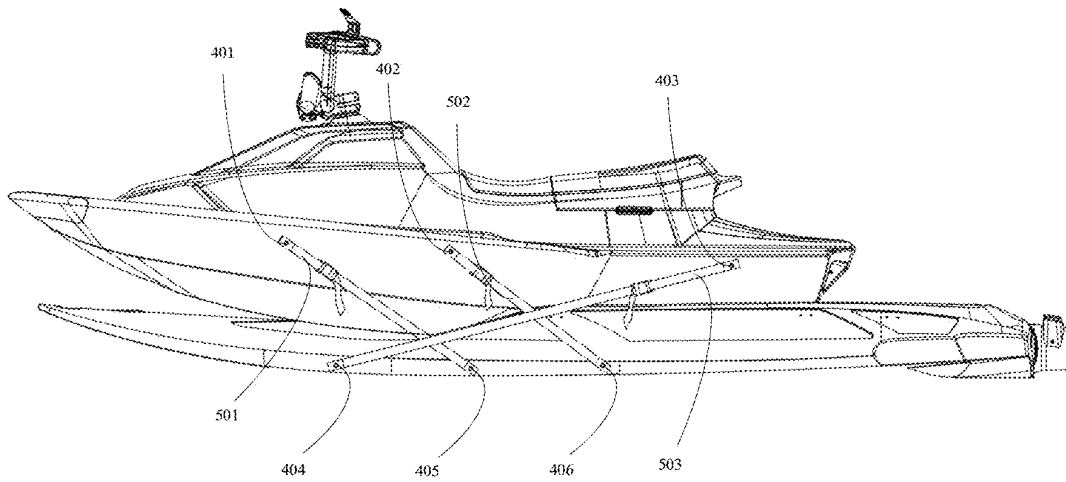


Fig. 19



FIG. 1

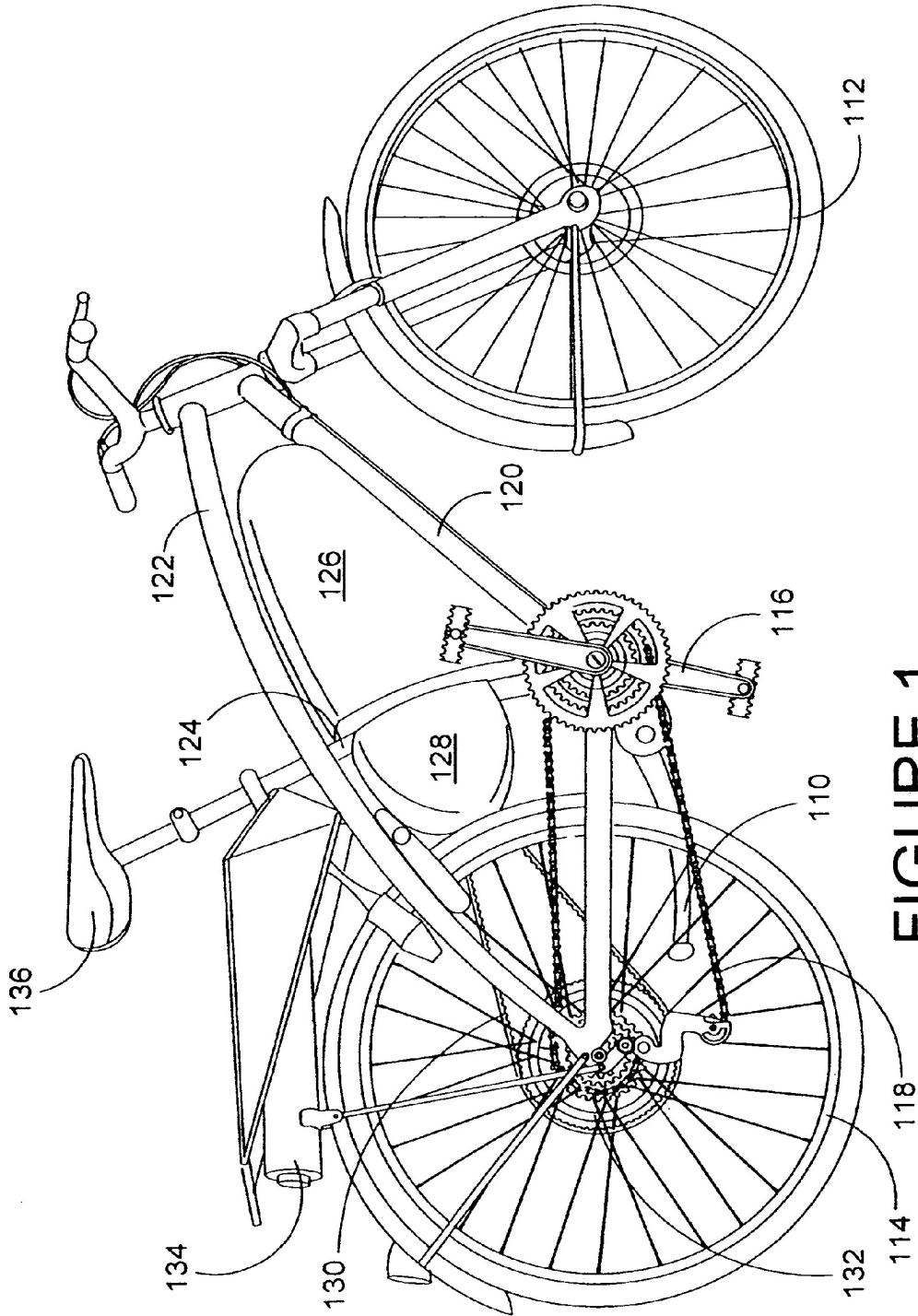


FIGURE 1